

%

&

(

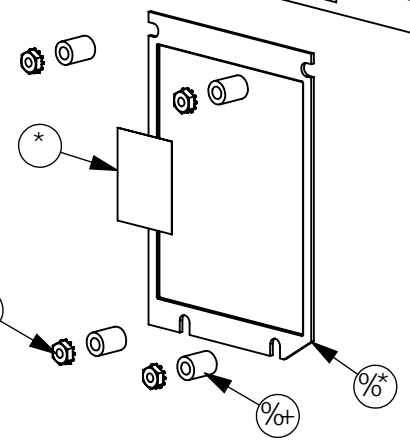
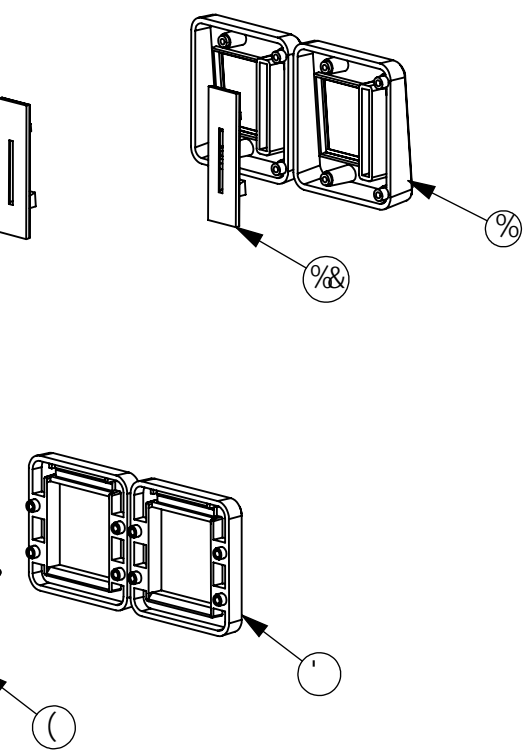
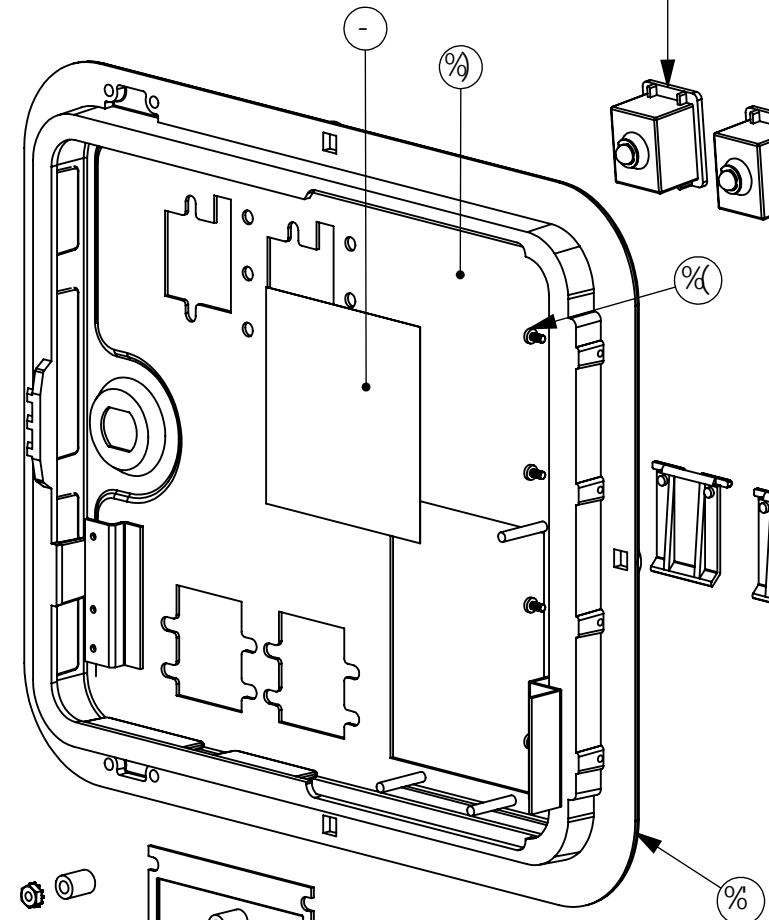
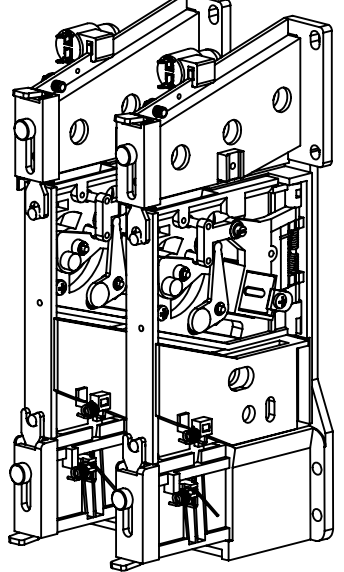
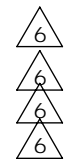
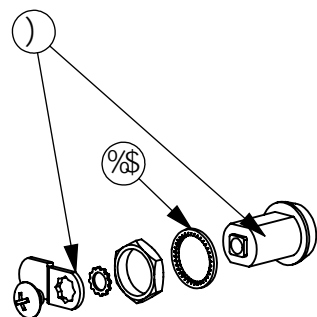
)

8F5K B: BC*

(\$!\$* - *!' \$

F9J"	NC B9	89G7 F-DHC B 'C: '7 <5B: 9	97 "B".	6M	85H9
6	!	89@H9B (A' * - *1&\$58B9B (&S*9A&S2F(L @!SS, &SSZ, - 9&S9S(592 Z(F L - \$!9S)9&SS	' \$-, %	>5F	\$&#&) #9)

#9A 'BC"	E HM	D5FHBC "	89G7 F-DHC B
%	&	(&!\$&' %!\$8	9BHF M69N9@-@D@5GH7
&	&	(&!, %)*!\$\$	A 97 <'<C @B9F 'K #&A 9H5 @7 @DG/ % (J ' @A D'GK "'&) '<5DDA 97 <
'	&	(&!\$&' &!\$8	F9H FB '69N9@-@D@5GH7
(&	(&!\$%&!\$8	F9H FB '8C C F : @DZD@5GH7
)	%	(&!\$* (%!\$8	@C 7 ? '5GGM+#, 'K #9A#, 'K #9#,, "C:: G9H8C I 6@9 6+H98 '8' &?9MG
*	%	-)!\$&+, !\$\$	85B: 9F @69@: C F '7C -B 8C C F G9@97 H F -7 'G<C 7 ?
+	%&	(, !%\$8\$!\$8	G7 F9K Z: #69N9@C B: * 'L %&'<9L 'K 5G<9F '<8' <+@C K 'FC <GNB7
,	(('!%\$8' !\$\$	G7 F9K Z@: #D@5GHZ, ('L" (&#" - 'GD@<=Hk8Z6H@D<'<9L 'K '<8
-	%	, - \$!%\$8' !\$\$	@69@1 DG57?9F 'BGF I 7 HC BG
%\$	%	(&!\$&) (!\$&	@C 7 ? K 5G<9F Z: #@C 7 ? " # (" -BH9FB5@
%&	&	(&!\$) %+!\$8	F9>97 H6I HCB '5GGM M@C K 'K #<5DD"&) 'B G9FH
%&	&	(&!\$& (+!\$&	B9K '7C -B '9BHF MF9GF -7 HC F K Hk '&H9Hk
%	%	, - %!%+ \$!\$8%	: F5A 9'GB 8F =G&\$8\$ BC H7 <'6@'
%/	(, - \$!%\$8&\$!\$8	G7 F9K ': #<B: 9A 'L *A A ") D#7 <'D< 'D5B '<8' NB7
%9	%	(&!\$* %&!\$8	D-B65 @7C -B '8C C F Z & 9BHF MZ6F?H2I DG57?9F 'A 9=J 5@7I HC I H
%*	%	, - %!\$%\$8! (\$%*	6@5B?B: 'D@5H9 86J 'f6@57?E @5F: 9C D9B B:
%+	(, - \$!%\$8) %!\$8	GD57 9F "'&\$L" +) '8-5 L ") \$\$@
%	((&!\$8, &!\$8	B I H?9DG, !' &



RELEASED
By Fred at 9:36 am, Mar 02, 2015

SUZO HAPP

Solutions Focused. Technology Driven.

8F5K B: B5A 9					
8C C F '5GGMD-B 65 @&9"&) 'DA <'I D'G57?9F ' % (J ' @A D'BC '<FB					
8F5K B 6M	>5F	85H9 %&#& (#%	7 <97?98 6M	85H9	
GAP	G7 5@9	%'	8F5K B: BC*	F9J"	
6	G<99H	G<99H%	(\$!\$* - *!' \$	6	

BC H9.
D5FH#5GG9A 6@MA I GH69'Fc <G&'7 C A D@5BH-B '577CF85B79K Hk'
8 F 97 HJ 9'&\$%#*) #9I 'C: 'Hk9'9I FC D95B 'D5F@5A 9BH5B8 'Hk9'7 C I B7 @C: '
>I B9, Z&\$%&fFc <GF97 5GH'

A UYfJ:	!
: JbJ.	!
HC @9F5B7 9G5F9.	8C 'BCHG7 5@'8F5K B; "
:F57HCBG 897 A 5@ 5B: @G	H<GDF-BHGHK9DFC D9FMC: 'G NC '<5DD: FC I D'
- %H & LL ± "'\$% - '\$\$ \$fi	5B8 'G<5@BC H69 F9DFC 81 7 98Z7 C D-98 'BC F '8-67 @G98
LLL ± "'\$8)	HC 'C H'9FG" 'DF-BHHC '69F9H FB98'1 DC B'F9E I 9GH"
I B @GGC H: 9FK @9 CD97 * 98Z	
8 A 9BGC BG5F9 'B -B7 <9G'	

%

&

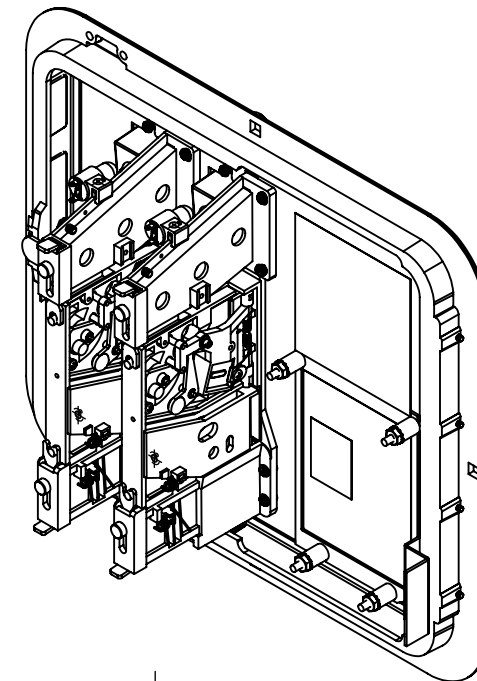
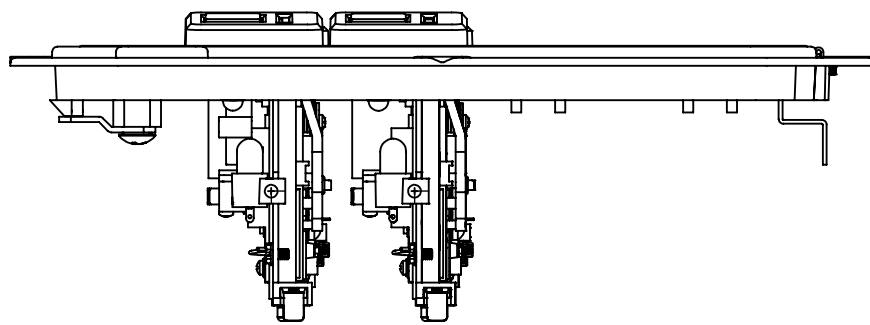
(

)

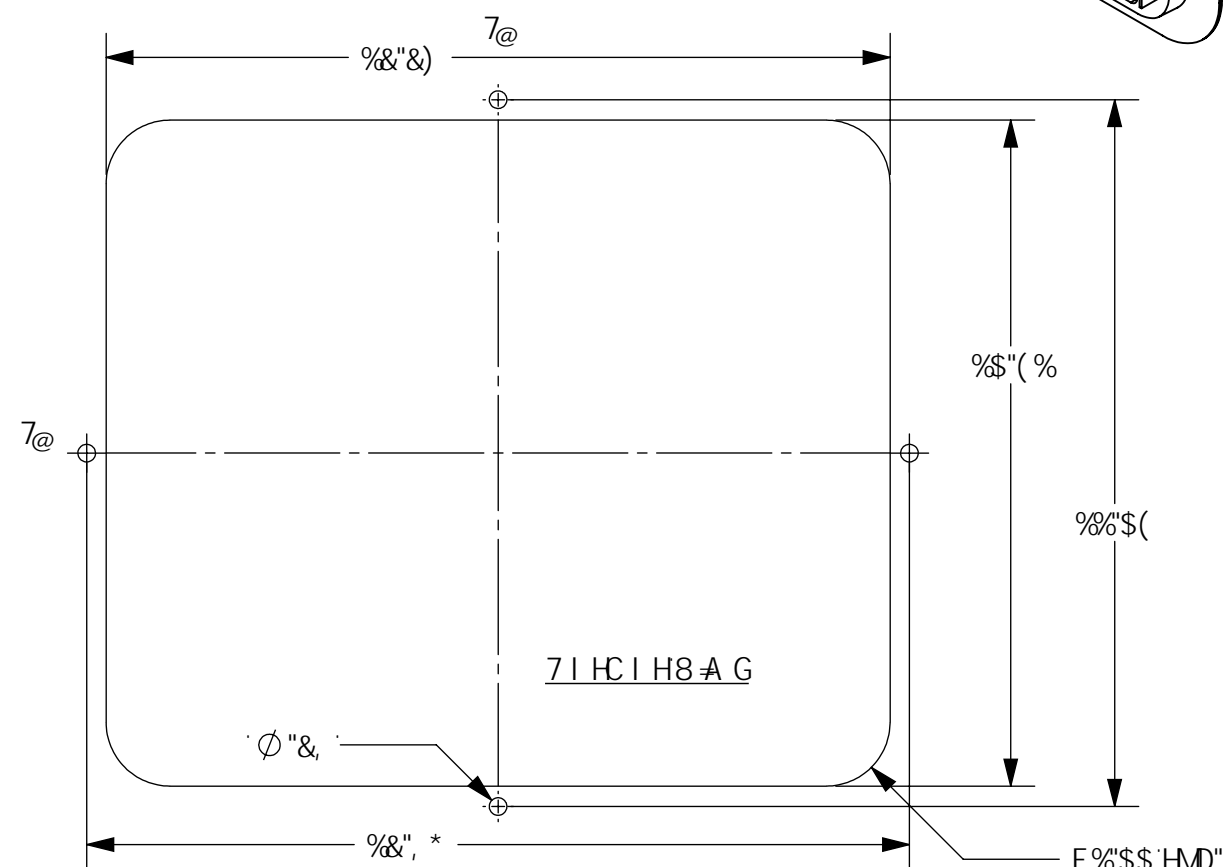
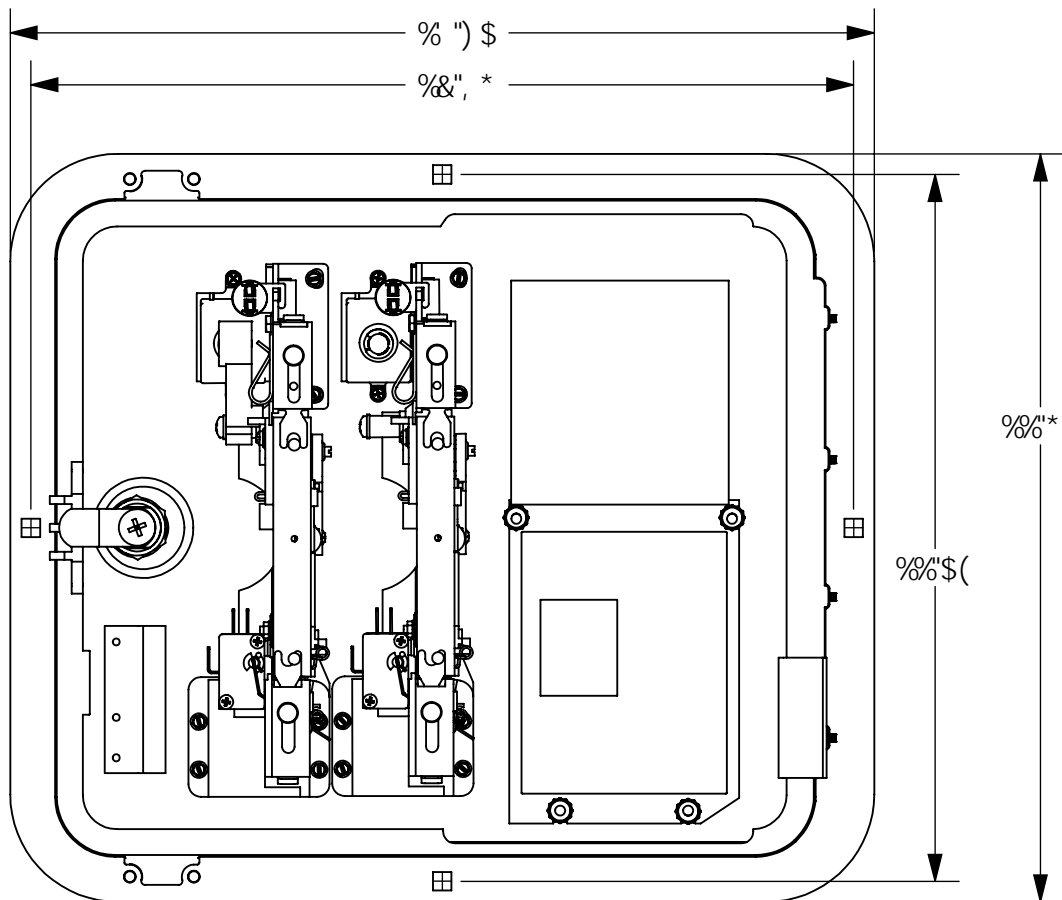
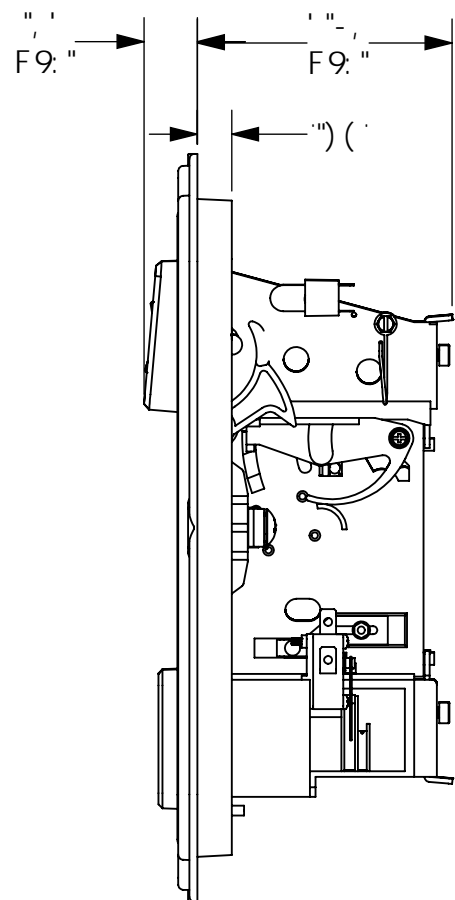
8F5K B: BC*

(\$!\$* - *!' \$

8



7



6

5

RELEASED
By Fred at 9:36 am, Mar 02, 2015

SUZO HAPP

Solutions Focused. Technology Driven.

8C C F '5GGMD-B 65 @&9''&) 'DA < 'I D'G#57?9F'
%(J 'A DBC ' <FB

A UHfjU:	!
: jlg.	!
HC @9F5B7 9G5F9.	8C 'BCHG75 @'8F5K B; "
:F57HCBG 897 A 5@G 5B: @9G	H<GDF #H#H<9DFC D9F HMC: 'G NC '<5DD': FCI D"
-%# & LL ± ""\$% - \$\$ \$fi	5B8 'G<5@BC H69 F9DFC 81 7 9827 C D-98 'BC F 8-67 @ G98
LLL ± ""\$)	HC 'C H 9FG'' DF #HHC '69 F9H FB98'1 DC B' F9E I 9GH"
I B @9GC H: 9FK #9 CD97 * 982	
8 A 9BGC BG5F9 'B 'B7 <9G'	

8F5K B 6M	>5F	85H9 %&#\$(#%)	7 < 97?98 6M	85H9
GAP	G7 5@9	%'	8F5K B: BC*	F9J*
6	G<99H	G<99H&	(\$!\$* - *!' \$	6

%

&

(

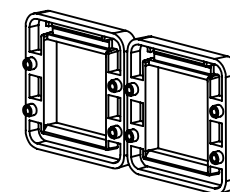
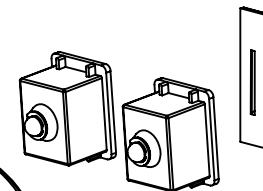
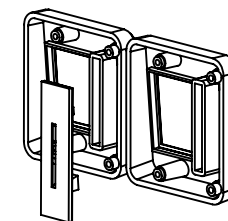
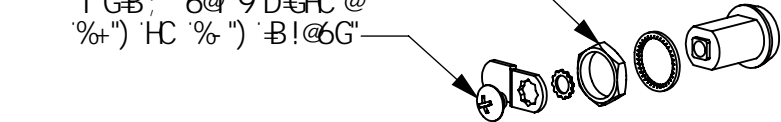
)

8F5K B: BC*

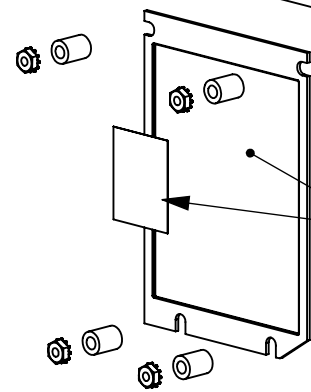
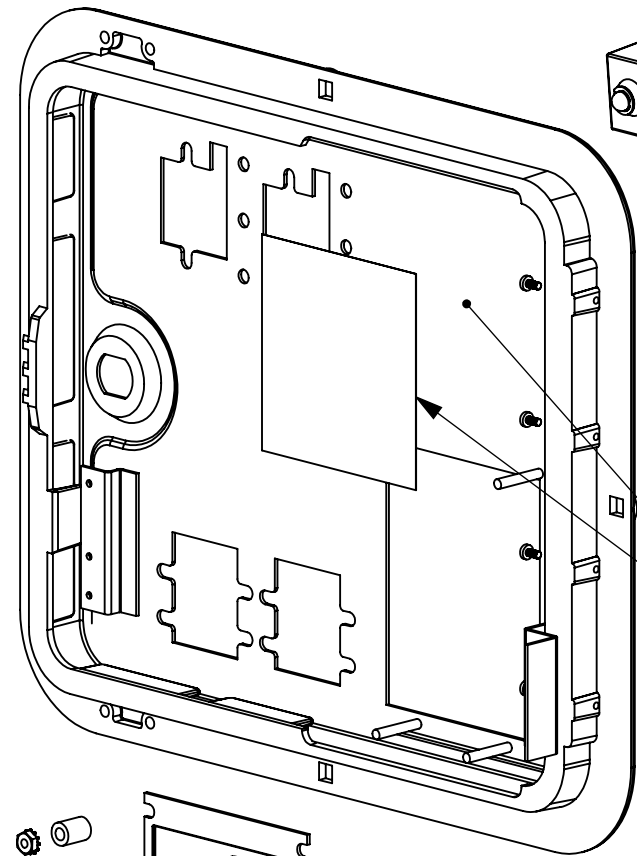
(\$!\$* - *!' \$

H# <H9B @7? 'BI H
I GB: 'A D57H: I B
@J 9@%5DDFC L *\$' B!@6G"

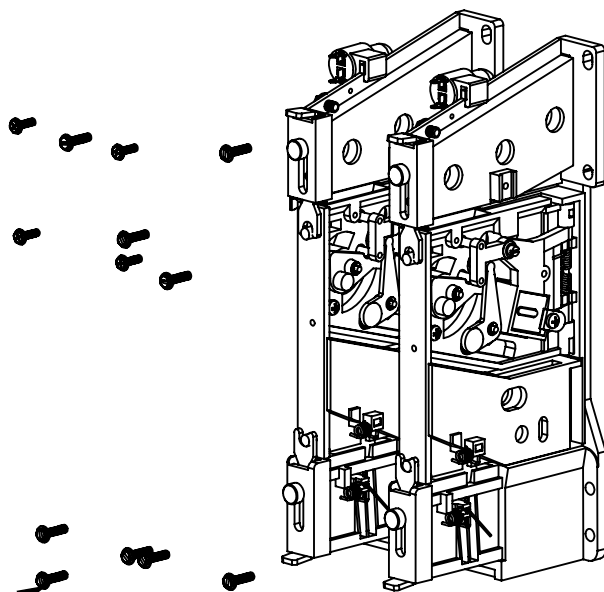
H# <H9B @7? 'G7 F9K
I GB: '6@ 9D@HC @
%+)' HC %-')' B!@6G"



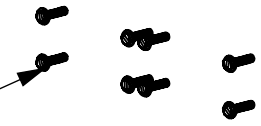
5DD@M@BGF I 7 HC B @569@
HC 'H:9'7 9BH@F 'C: 'H:9'
8C C F 'D5B9@



5DD@M85B; 9F @569@HC 'H:9
7 9BH@F 'C: 'H:9'@K 9F
7 C J 9F 'D@5H"



H# <H9B %* 'G7 F9K G' I GB;
6@57? 'D@HC @(') 'HC ; '\$' B!@6G"



RELEASED
By Fred at 9:36 am, Mar 02, 2015

SUZO HAPP

Solutions Focused. Technology Driven.

8F5K B: B5A 9

8C C F '5GGMD-B 65 @&9''&) 'DA <' I 'D'G57?9F'
%(J 'A DBC '<FB

A UYfjU:	!
: jbg.	!
HC @9F5B7 9G5F9 :F57HCBG 897 A 5@ 5B: @9G - %# & LL ± "\$% - \$S' \$fi LLL ± "\$S) I B @9GC H: 9FK @9 CD97 * 982 8 A 9BGC BG5F9 B 'B7 <9G"	8C 'BCHG7 5@'8F5K B; "
H<GDF @H@H:9DFC D9FHMC: 'G' NC '<5DD: FCI D" 5B8 'G<5@BC H69 F9DFC 81 7 9827 CD@98 'BC F '8-@7 @C G98 HC 'C H:9F'G" 'DF @BHC '69F9H FB98'1 DC B' F9E I 9GH"	

8F5K B 6M	>5F	85H@ %&#\$(#%	7<97?98 6M	85H@
GAP	G7 5@9	%'	8F5K B: BC*	F9J*
6	G<99H	G<99H'	(\$!\$* - *!' \$	6

BC H9.
H9GH7 C B '8C C F I GB; 'H9GH@F ; '<H%&+

8

7

6

5